

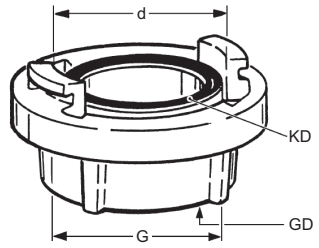
TECHNISCHE ÄNDERUNGEN VORBEHALTEN · NACHDRUCK UND KOPIEN NUR MIT UNSEREM EINVERSTÄNDNIS · Specifications subject to change without notice · Copyright ELAFLEX

| GRUPPE 3 Section | Gewicht Weight Approx. ≈ kg | GRÖSSE Size | | | WERKSTOFFE Materials | GEWINDE- GRÖSSE Thread Size G | BESTELL- NUMMER Part Number Type | schudel ag |
|--------------------------------|--------------------------------------|----------------|-----|----|-----------------------------|---|--|-------------------|
| | | DN | | d | | | | |
| | | mm | in. | mm | | | | |

| | | | | | | |
|------|-----|----|-----|--|------|-----------------|
| 0,63 | 50 | 2" | 66 | Pressmessing GD = Polyurethan KD = NBR hot stamped brass GD = polyurethane KD = NBR | G 2" | Storz C - 2" Ms |
| 1,16 | 80 | 3" | 89 | | G 3" | Storz B - 3" Ms |
| 2,20 | 100 | 4" | 133 | | G 4" | Storz A - 4" Ms |
| 0,27 | 50 | 2" | 66 | Pressaluminium GD = Polyurethan KD = NBR hot stamped aluminium GD = polyurethane KD = NBR | G 2" | Storz C - 2" Al |
| 0,40 | 80 | 3" | 89 | | G 3" | Storz B - 3" Al |
| 0,91 | 100 | 4" | 133 | | G 4" | Storz A - 4" Al |
| 0,65 | 50 | 2" | 66 | Edelstahl 1.4581 (V4A) GD = PTFE KD = Viton / FKM stainless steel AISI 316 Ti / INOX | G 2" | Storz C - 2" SS |
| 1,60 | 80 | 3" | 89 | | G 3" | Storz B - 3" SS |
| 2,30 | 100 | 4" | 133 | | G 4" | Storz A - 4" SS |

Storz-Festkupplung nach DIN, mit Rohr-Innengewinde mit Gewindedichtung GD und Kupplungsdichtung KD in schwarz - für Nahrungsmittel und Granulate auch in weiß. - Betriebsdruck bis PN 10.

Storz fixed coupling acc. to DIN, with female pipe thread (BSP parallel), thread seal GD and standard coupling seal KD in black - also available in white for foodstuffs and granulates. - Working pressure up to PN 10.

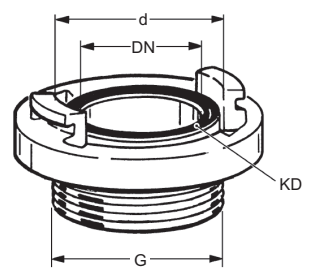


Storz IG

| | | | | | | |
|------|-----|----|-----|---|--------|-------------------|
| 0,56 | 50 | 2" | 66 | Pressmessing KD = NBR hot stamped brass KD = NBR | G 2" A | Storz C - 2" A Ms |
| 1,11 | 80 | 3" | 89 | | G 3" A | Storz B - 3" A Ms |
| 2,40 | 100 | 4" | 133 | | G 4" A | Storz A - 4" A Ms |
| 0,22 | 50 | 2" | 66 | Pressaluminium KD = NBR hot stamped aluminium KD = NBR | G 2" A | Storz C - 2" A Al |
| 0,37 | 80 | 3" | 89 | | G 3" A | Storz B - 3" A Al |
| 1,05 | 100 | 4" | 133 | | G 4" A | Storz A - 4" A Al |
| 0,61 | 50 | 2" | 66 | Edelstahl 1.4581 (V4A) KD = Viton / FKM stainless steel AISI 316 Ti / INOX | G 2" A | Storz C - 2" A SS |
| 1,21 | 80 | 3" | 89 | | G 3" A | Storz B - 3" A SS |
| 3,35 | 100 | 4" | 133 | | G 4" A | Storz A - 4" A SS |

Storz-Festkupplung nach DIN, mit Rohr-Außengewinde mit Kupplungsdichtung KD schwarz oder weiß. - Betriebsdruck bis PN 10.

Storz fixed coupling acc. to DIN, with male pipe thread (BSP parallel) and coupling seal KD, black or white. - Working pressure up to PN 10.

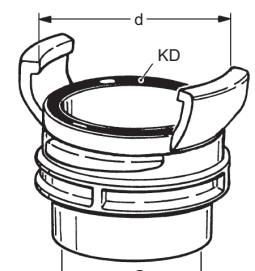


Storz AG

| | | | | | | |
|------|-----|----|-----|--|-----------|--------------------|
| 1,95 | 80 | 3" | 103 | Messing KD = NBR brass KD = NBR | G 3" | GK 80 - 3" Ms |
| 3,13 | 100 | 4" | 123 | | G 4" | GK 100 - 4" Ms |
| 4,83 | 100 | 4" | 123 | | 5 1/2" *) | GK 100 - 5 1/2" Ms |
| 0,75 | 80 | 3" | 103 | Aluminium KD = NBR aluminium KD = NBR | G 3" | GK 80 - 3" Al |
| 1,11 | 100 | 4" | 123 | | G 4" | GK 100 - 4" Al |
| 1,59 | 100 | 4" | 123 | | 5 1/2" *) | GK 100 - 5 1/2" Al |
| 1,63 | 80 | 3" | 103 | Edelstahl 1.4404 (V4A) KD = Viton / FKM stainless steel AISI 316 L / INOX KD = Viton / FKM | G 3" | GK 80 - 3" SS |
| 4,35 | 100 | 4" | 123 | | G 4" | GK 100 - 4" SS |
| 4,86 | 100 | 4" | 123 | | 5 1/2" *) | GK 100 - 5 1/2" SS |

Guillemin - Festkupplung mit Arretierung, mit Rohr-Innengewinde mit Kupplungsdichtung KD schwarz. - Betriebsdruck bis PN 10.

Guillemin fixed coupling with arresting device, with female pipe thread (G = BSP parallel), black coupling seal KD. - Work. pressure up to PN 10.

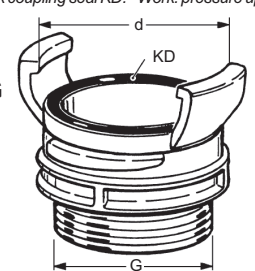


Guillemin IG

| | | | | | | |
|------|-----|----|-----|--|------------|----------------------|
| 1,28 | 80 | 3" | 103 | Messing KD = NBR brass KD = NBR | G 3" A | GK 80 - 3" A Ms |
| 2,14 | 100 | 4" | 123 | | G 4" A | GK 100 - 4" A Ms |
| 3,19 | 100 | 4" | 123 | Aluminium KD = NBR aluminium KD = NBR | 5 1/2" A*) | GK 100 - 5 1/2" A Ms |
| 0,52 | 80 | 3" | 103 | | G 3" A | GK 80 - 3" A Al |
| 0,81 | 100 | 4" | 123 | | G 4" A | GK 100 - 4" A Al |
| 1,34 | 80 | 3" | 103 | Edelstahl 1.4404 (V4A) KD = Viton / FKM stainless steel AISI 316 L / INOX | G 3" A | GK 80 - 3" A SS |
| 2,16 | 100 | 4" | 123 | | G 4" A | GK 100 - 4" A SS |

Guillemin - Festkupplung mit Arretierung, mit Rohr-Außengewinde mit Kupplungsdichtung KD schwarz. - Betriebsdruck bis PN 10.

Guillemin fixed coupling with arresting device, with male pipe thread (G = BSP parallel), black coupling seal KD. - Work. pressure up to PN 10.



Guillemin AG

*) Gewinde 5 1/2" nach DIN 6602 (alte DIN 11) · Thread 5 1/2" Whitworth (old DIN 11)

| | | |
|-------------------------|--|--|
| 1994 Revision 5.2009 | Storz- / Guillemin-Blindkappen auf Anfrage Storz / Guillemin dust caps on request | |
|-------------------------|--|--|

Symmetrische Kupplungen

SYMMETRICAL COUPLINGS

327